



Fulflo® FH Filter Vessels

- 304 Stainless Steel
- 316L Stainless Steel

Multi-Cartridge Filter Vessel Series

FH 7 and 12 Cartridge Filter Vessels

The FH 7 and 12 cartridge filter vessels are a lightweight, economical industrial and commercial design suitable for a wide variety of filtration applications. The 100% stainless steel and bead blasted finish provides superior corrosion resistance and an excellent appearance. The closure V-retainer coupling features a unique filtration industry exclusive design that allows both the clamp and cover to remain attached to the vessel body during cartridge change-out. This hinged clamp and cover design makes cartridge change-out quick and easy.

Applications

- Potable Water
- Lubricants
- Process Water
- Coolants
- Edible Oils
- Cutting Oils
- Coatings
- Solvents



Features and Benefits

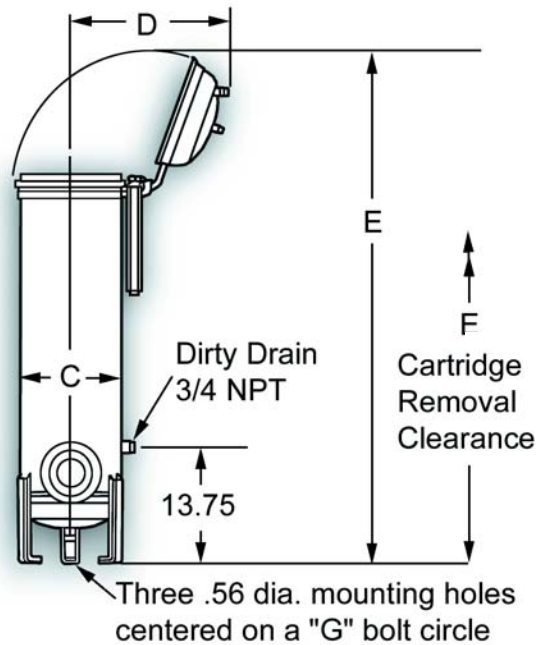
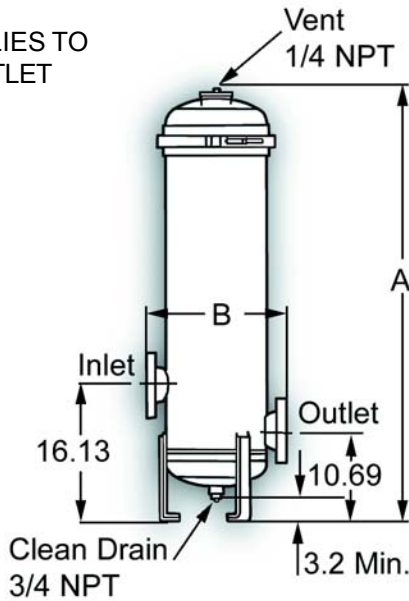
- Hinged cover and V-retainer coupling for fast, easy cartridge changeout.
- V-retainer coupling remains attached to the filter body to minimize loose parts during cartridge change-out.
- Maximum design pressure is 150 psig (10.3 bar) at 250° F (126° C) for use in a wide range of operating conditions.
- 100% stainless steel for corrosion resistance.
- Stainless steel clamp for corrosion free operation.
- Dual purpose cartridge seats for use with Double Open End and 2-222 O-ring cartridges.
- 316 Stainless steel cartridge seats and tri-fold guides for long term use.
- Standard Buna-N O-ring with optional Viton® and EPR for wide range of applications.
- Vent, clean drain and dirty drain connections for safe, clean operation.
- Three connection styles to match a variety of piping systems.
- Three types of finishes available for a wide range of applications.

Process Filtration Division



Multi-Cartridge Filter Vessel Series

"B" DIM. APPLIES TO ALL INLET/OUTLET TYPES



Dimensions

Model	Cartridge Qty.	Typical flow+	A	B	C	D	E	F	G	Weight
FH*7D2T**	(7) 20"	98	40.5	12.5	10.0	18	48.9	55	8.24	68
FH*7D2F**	(7) 20"	98	40.5	14.5	10.0	18	48.9	55	8.24	76
FH*7D2C**	(7) 20"	98	40.5	13.0	10.0	18	48.9	55	8.24	68
FH*7T2T**	(7) 30"	147	50.5	12.5	10.0	18	58.9	75	8.24	77
FH*7T2F**	(7) 30"	147	50.5	14.5	10.0	18	58.9	75	8.24	87
FH*7T2C**	(7) 30"	147	50.5	13.0	10.0	18	58.9	75	8.24	77
FH*7Q2T**	(7) 40"	196	60.6	12.5	10.0	18	68.9	95	8.24	86
FH*7Q2F**	(7) 40"	196	60.6	14.5	10.0	18	68.9	95	8.24	98
FH*7Q2C**	(7) 40"	196	60.6	13.0	10.0	18	68.9	95	8.24	86
FH*12T3F**	(12) 30"	252	51.1	16.5	12.0	19	60.9	75	10.24	114
FH*12T3C**	(12) 30"	252	51.1	14.75	12.0	19	60.9	75	10.24	96
FH*12Q3F**	(12) 40"	336	61.2	16.5	12.0	19	70.9	95	10.24	128
FH*12Q3C**	(12) 40"	336	61.2	14.75	12.0	19	70.9	95	10.24	110

+Actual flow rate is dependent on fluid viscosity, micron rating, contaminant, and media type. Consult media flow charts for each application.

Ordering Information

FH	G	7	2 —	3	F	P
Design Series	Material of Construction	Number of Columns	Cartridge Length	Inlet/Outlet Size	Inlet/Outlet Type	Finish
	G = 304 SS S = 316/L SS	7 12	D = 20 in T = 30 in Q = 40 in	2 = 2 in 3 = 3 in	F = ANSI 150 lb. Flange T = FNPT C = Sanitary	P = Passivate E = Electro Polish

Process Filtration Division

Parker Hannifin Corporation
 Process Filtration Division
 6640 Intech Boulevard
 Indianapolis, Indiana 46278
 Toll Free 1-888-C-FULFLO (238-5356)
 Telephone (317) 275-8300
 Fax (317) 275-8410
<http://www.parker.com>

