

Fulflo® FPM Oil Filter Vessels

■ Steel

Single Cartridge Filter Vessel Series

The Light, Compact Oil Filtration Solution

The Fulflo® FPM Vessel Series of Single Cartridge Oil Filters is designed for high efficiency and economical operation in oil reclamation and maintenance applications. The compact, lightweight design makes the FPM vessel series easy to mount on equipment and on the floor to conserve space. A patented* safety-latch design prevents inadvertent separation of the head from the shell in the event of improper venting prior to clamp removal.

The FPM Vessel Series is designed for use with the Fulflo® Flo-Pac® 718 and 736 filter cartridge series and Tru Bind 700 Series absorbent cartridges.

Applications

- Hydraulic Oils
- Quench Oils
- Engine & Compressor Lube Oils
- Cutting Oils
- Coolants
- EDM Liquids



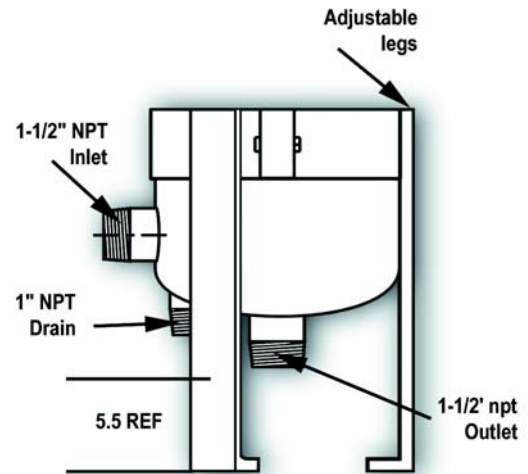
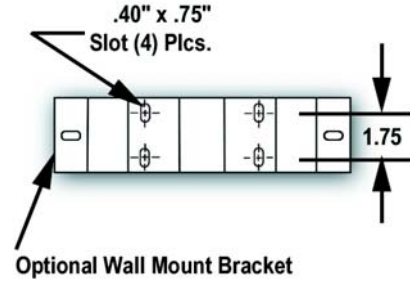
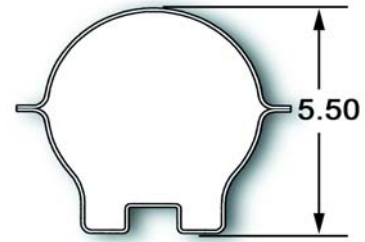
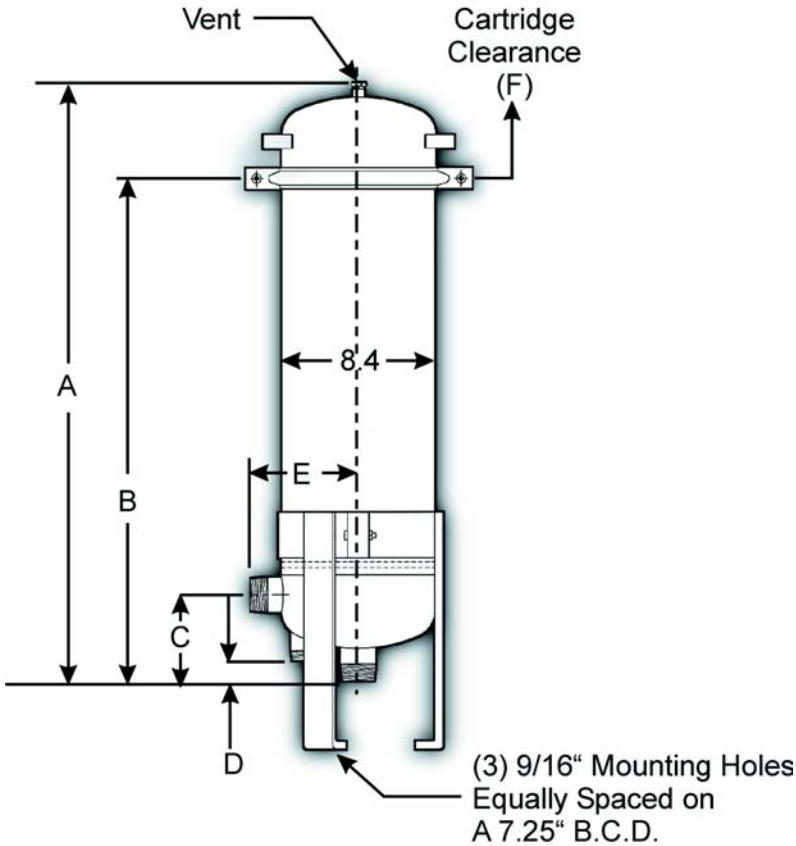
Features and Benefits

- Split-shell construction with V-band clamp permits easy cleaning and cartridge change out.
- Vessel construction designed for 100 psi (6.9 bar) working pressure at temperatures of up to 200°F (94°C).
- Buna-N O-ring seal provides positive sealing.
- Standard Buna-N seal with optimal Viton** elastomer, neoprene, ethylene propylene rubber and fluoropolymer elastomer O-rings.

Process Filtration Division



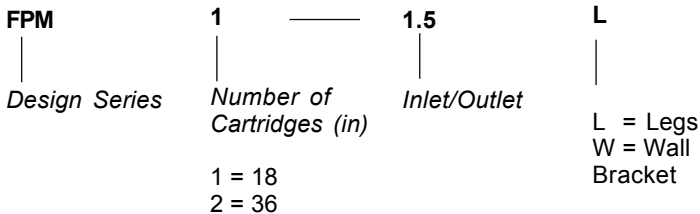
Multi-Cartridge Filter Vessel Series



Design Specifications for Units With Legs

Model	No. & Length of Cartridges (in)	Dimensions (in)		C	D	E	F	Shipping Weight (lbs)
		A	B					
FPM1-1.5	(1) 18	32.81	27.56	4.75	1.13	5.88	16.00	55
FPM2-1.5	(1) 36	50.81	45.56	4.75	1.13	5.88	16.00	70

Ordering Information



Process Filtration Division

* U. S. Patent No. 4,660,779
 ** A trademark of E. I. du Pont de Nemours & Co.

Parker Hannifin Corporation
 Process Filtration Division
 6640 Intech Boulevard
 Indianapolis, Indiana 46278
 Toll Free 1-888-C-FULFLO (238-5356)
 Telephone (317) 275-8300
 Fax (317) 275-8410
<http://www.parker.com>

