

## Fulflo® MegaFlow™ Filter Vessels

- Carbon Steel
- 304L and 316L Stainless Steel

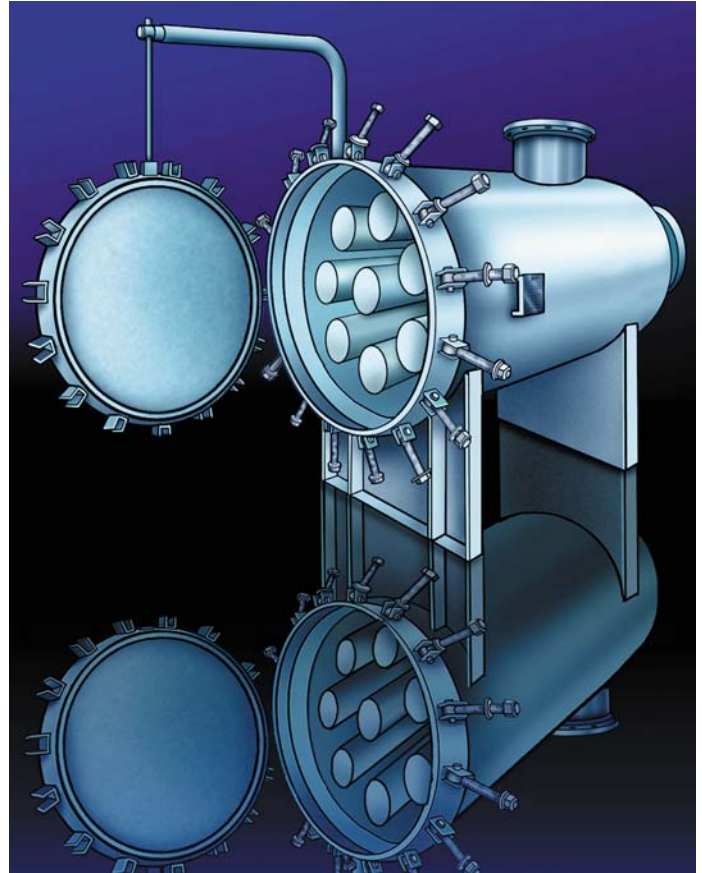
### Multi-Cartridge Filter Vessel Series

## Vessels for High Flow Capacity MegaFlow Filter Cartridges

MegaFlow™ vessels are designed to accept MegaFlow™ filter cartridges that handle up to 250 gpm (950 lpm) each. They provide significant size and capital cost reduction compared with vessels containing conventional size filter cartridges. The horizontal design and coreless cartridge configuration make cartridge change fast and easy. Models are available for flow rates up to 4750 gpm (18,000 lpm).

### Applications

- Reverse Osmosis Filtration
- Potable Water
- Process Water
- Edible Oils
- Lubricants
- Coolants
- Cutting Oils
- Solvents
- Chemicals



### Features and Benefits

- Horizontal design makes cartridge change practically effortless.
- Vessels have slight pitch to prevent liquid from spilling when opening cover.
- Permanent internal perforated post supports cartridges and eliminates loose internal parts.
- Cartridges have internal O-ring for positive seal.
- Cartridge top is located flush with cover to facilitate cartridge change.
- Inlet connection is below cartridges to prevent impingement on media.
- Built to ASME Boiler And Pressure Code to insure integrity.
- Available in carbon steel, 304L stainless steel and 316L stainless steel for a wide variety of applications.
- O-ring cover seal for quick and positive vessel cover sealing.
- Cover locating pin for quick and accurate alignment.
- Available in 150 PSI and 300 PSI pressure ratings.

### Process Filtration Division

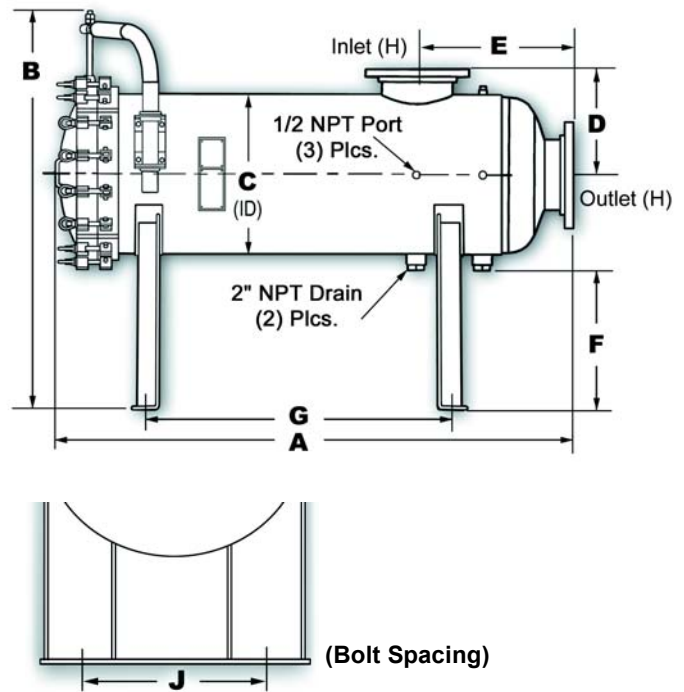


# Multi-Cartridge Filter Vessel Series

## Design Specifications

Material of Construction	Design Pressure	Maximum Design Temperature*
Carbon Steel	150 psi (10.3 bar)	250°F (121°C)
Carbon Steel	300 psi (20.7 bar)	250°F (121°C)
304L Stainless Steel	150 psi (10.3 bar)	250°F (121°C)
304L Stainless Steel	300 psi (20.7 bar)	250°F (121°C)
316L Stainless Steel	150 psi (10.3 bar)	250°F (121°C)
316L Stainless Steel	300 psi (20.7 bar)	250°F (121°C)

\* Operating temperature limited by standard gasket material and exterior paint.



## Reference Dimensions

Model	Elements	A	B	C	D	E	F	G	H	J	Flow GPM	Shipping Weight
MF02	2	69.31	57.44	14.063	11.25	20.00	27.09	46.00	6 NPS	8.00	500	615
MF03	3	69.81	58.44	16.063	12.25	21.00	26.09	46.00	6 NPS	8.00	750	715
MF04	4	75.20	58.00	18.063	13.25	22.00	25.09	48.00	8 NPS	10.00	1000	790
MF05	5	75.47	59.00	20.063	14.25	22.00	24.09	48.00	8 NPS	12.00	1250	920
MF07	7	78.73	60.00	22.063	15.25	24.00	23.09	48.00	10 NPS	12.00	1750	1120
MF08	8	79.00	61.00	24.063	16.25	24.00	22.09	48.00	10 NPS	14.00	2000	1245
MF12	12	85.93	64.06	30.063	20.25	28.00	19.03	52.00	12 NPS	20.00	3000	1915
MF15	15	92.95	65.06	32.063	21.50	30.00	18.03	54.00	14 NPS	22.00	3750	2175
MF19	19	95.32	73.31	36.063	23.75	34.00	22.03	56.00	16 NPS	26.00	4750	2870

Actual flow rate is dependent on fluid viscosity, micron rating, contaminant, media type and inlet velocity.

Consult media flow charts for each application.

Shipping weights and dimensions are for 150 PSIG nominal design only.

## Ordering Information

MF	C	U	03	V	06	F	B
	Material	Design	Cartridge Qty.	Vessel Orientation	Inlet/Outlet Size	Inlet/Outlet Connection Type	Finish
MF - Mega Flow	C = Carbon Steel G = 304L Stainless Steel S = 316L Stainless Steel	N = Non Code U = ASME Code	01 - 1 Cartridge 02 - 2 Cartridges 03 - 3 Cartridges 04 - 4 Cartridges 05 - 5 Cartridges 07 - 7 Cartridges 08 - 8 Cartridges 12 - 12 Cartridges 15 - 15 Cartridges 19 - 19 Cartridges	V - Vertical H - Horizontal	06 = 6" 08 = 8" 10 = 10" 12 = 12" 14 = 14" 16 = 16"	F = ANSI 150 lb. flange H = ANSI 300 lb. flange	C - Painted B - Glass Bead Blast P - Passivated E - Electropolished

## Process Filtration Division

Parker Hannifin Corporation  
 Process Filtration Division  
 6640 Intech Boulevard  
 Indianapolis, Indiana 46278  
 Toll Free 1-888-C-FULFLO (238-5356)  
 Telephone (317) 275-8300  
 Fax (317) 275-8410  
<http://www.parker.com>

