

# Fulflo® P Filter Vessels

■ Carbon Steel

## Multi-Cartridge Filter Vessel Series

### High Efficiency and High Flow Rate With Fulflo® P Vessel Series

Fulflo® P Series Multi-Cartridge Filter Vessels are designed for high flow rate where the contaminants can be effectively removed by pleated paper (surface type) media.

The P Vessel Series is designed for use with the Fulflo® Flo-Pac® 718 and 736 pleated filter cartridge series. Tru Bind 700 Series absorbent cartridges also fit these vessels.

### Applications

- Fuels
- Lubricating Oils
- Solvents
- Coolants
- Refineries
- Hydraulic Oils
- Rolling Mill Oils
- Processing Liquids



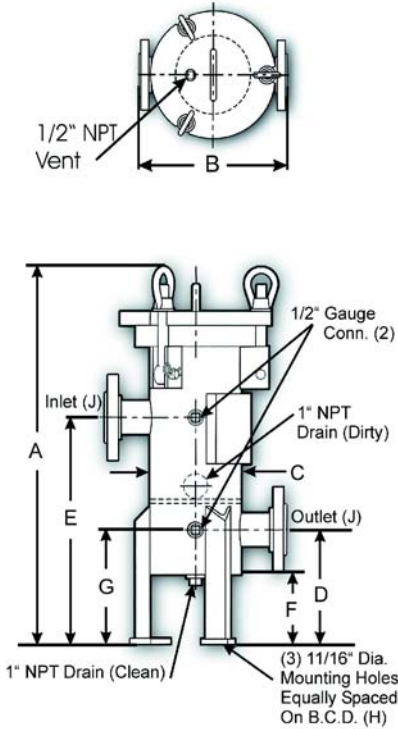
### Features and Benefits

- Designed and fabricated in accordance with the ASME Boiler and Pressure Vessel Code, U or UM stamp with 150 psi (10.3 bar) rating at 250°F (121°C).
- Non-code design and construction (parallel to code standards) available.
- Mechanical coverlifts.
- Designed for minimum pressure drop.
- Cartridge capacity from 1 to 36 cartridges.
- All P models feature swing bolts for easier cleaning and servicing.
- O-ring seals provide positive closure sealing.
- Standard Buna-N seal with optional Viton\* elastomer, neoprene, ethylene propylene rubber and fluoropolymer elastomer O-rings.
- Optional hydraulic coverlifts.

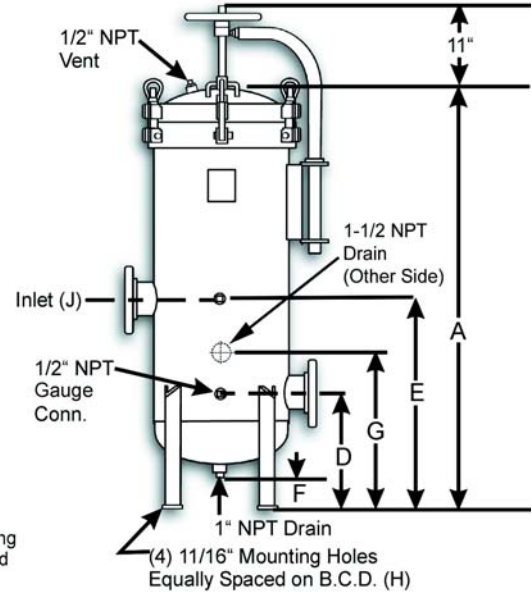
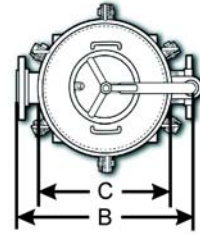
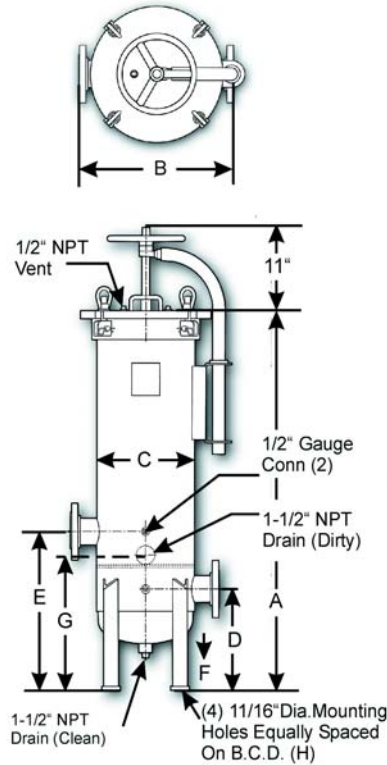
## Process Filtration Division



### Model P1-1-2F



### Model P3-2-3F



### Design Specifications

Model	No. & Length of Cartridges (in)	Dimensions (in)									Shipping Weight (lbs)
		A†	B	C	D	E	F	G	H	J	
P1-1-2F	(1) 18	36.13	14.88	8.63	8.19	16.19	5.06	11.31	7.81	2	180
P1-2-2F	(1) 36	54.13	14.88	8.63	8.19	16.19	5.06	11.31	7.81	2	200
P3-1-3F	(3) 18	38.74	22.50	15.06	13.38	21.00	5.00	17.88	14.75	3	405
P3-2-3F	(3) 36	57.31	22.50	15.06	13.38	21.00	5.00	17.88	14.75	3	465
P6-2-6F	(6) 36	65.00	29.25	20.06	16.50	31.00	5.00	22.56	19.75	6	790
P9-2-6F	(9) 36	67.19	33.38	24.06	18.00	31.00	6.00	24.19	23.75	6	985
P18-2-8F	(18) 36	76.06	42.25	32.06	23.63	41.25	6.00	31.69	31.81	8	1570

† Add 5 in to this dimension for hydraulic coverlift.

### Ordering Information

<b>P</b>	<b>3</b>	<b>2</b>	<b>3F</b>	<b>K1</b>
Design Series	Number of Columns	Number of Cartridges per Column	Inlet /Outlet Flange Size RFSO	Coverlift Option
	1			K1 = Mechanical
	3		2F	K2 = Hydraulic
Non-Code Design =	6	1	3F	
CP	9	2	6F	
	18		8F	

### Process Filtration Division

\* A trademark of E. I. du Pont de Nemours & Co.