



Fulflo® SF Filter Vessels

- Carbon Steel
- 304 and 316 Stainless Steel

Multi-Cartridge Filter Vessel Series

High Flow Rates With Fulflo® SF ASME Code Vessels

Fulflo® SF Multi-Cartridge Filter Vessels meet a broad range of liquid and gas applications. All details of design, materials, construction and workmanship of the SF vessel series conform to ASME code.

The SF Vessel Series accommodates double-open-end (DOE) and single-open-end (SOE) cartridges in 10 in, 20 in, 30 in and 40 in equivalents.

Applications

- Animal Oils
- Concentrated Alkalies
- Dilute Acids & Alkalies
- Mineral Acids
- Organic Acids
- Solvents
- Oxidizing Agents
- Petroleum Oils
- Photo Solutions
- Potable Liquids
- Vegetable Oils
- Water



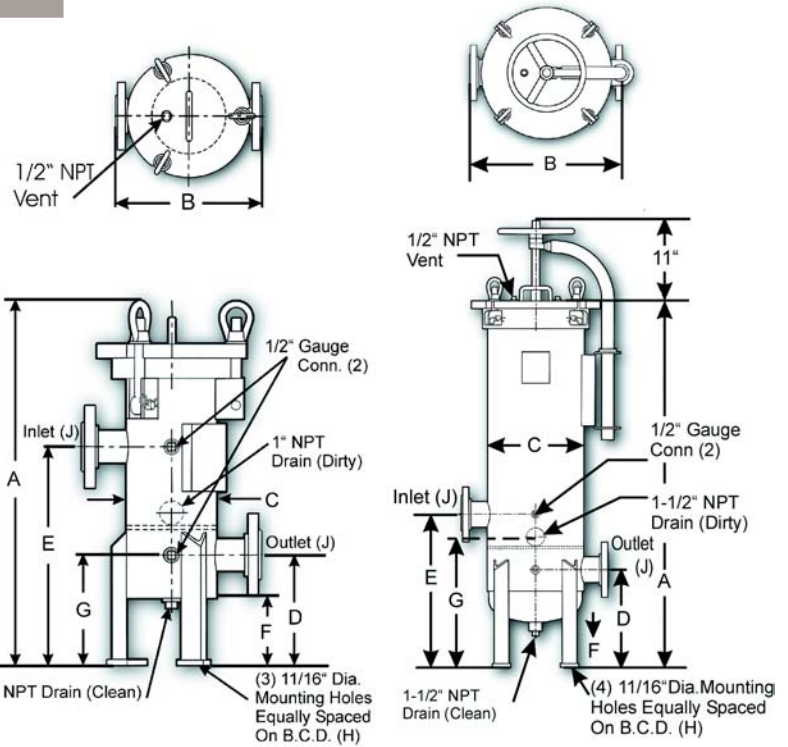
Features and Benefits

- Designed and fabricated in accordance with the ASME Boiler and Pressure Vessel Code, U or UM stamp.
- Non-code design and construction (parallel to code standards) available.
- Mechanical coverlifts of carbon steel construction standard on models SF12 and SF19.
- Designed for minimum pressure drop.
- External welded attachments on stainless steel models are also stainless steel.
- Dual purpose cartridge seats for use with double open end and 2-222 O-ring single open end cartridges.
- All SF models feature swing bolts with eyenuts for easier cleaning and servicing.
- O-ring seals provide positive closure.
- Standard Buna-N O-rings with optional Viton* elastomer, neoprene, ethylene propylene rubber and fluoropolymer elastomer O-rings are also available for temperatures up to 500°F (260°C).
- Hydraulic coverlifts optional on SF12 and SF19 models.

Process Filtration Division



Multi-Cartridge Filter Vessel Series



Maximum Operating Conditions

Material of Construction	Maximum Operating Pressure (psi at 250°F) [†]	Maximum Design Temperature
Carbon Steel	150 psi (10.3 bar)	500°F (260°C)
Carbon Steel	300 psi (20.7 bar)	500°F (260°C)
304 Stainless Steel	150 psi (10.3 bar)	300°F (150°C)
304 Stainless Steel	300 psi (20.7 bar)	300°F (150°C)
316 Stainless Steel	150 psi (10.3 bar)	400°F (204°C)
316 Stainless Steel	300 psi (20.7 bar)	400°F (204°C)

[†] Operating temperature limited by standard gasket material and exterior paint.

Design Specifications

Model	No. & Length of Cart. (in)	Max. Flow (gpm)	Dimensions (in)		C	D	E	F	G	H	J ^{††}	Shipping Weight (lbs)
			A [†]	B								
SF3-1-2F	(3) 10	15	26.69	12.69	6.63 OD	8.19	16.19	5.00	11.31	5.81	2	125
SF6-1-2F	(6) 10	30	26.94	14.88	8.63 OD	8.19	16.19	5.06	11.31	7.81	2	180
SF6-2-2F	(6) 20	60	37.00	14.88	8.63 OD	8.19	16.19	5.06	11.31	7.81	2	185
SF6-3-2F	(6) 30	90	47.06	14.88	8.63 OD	8.19	16.19	5.06	11.31	7.81	2	200
SF6-4-3F	(6) 40	120	58.50	14.88	8.63 OD	8.19	16.19	5.06	12.00	7.81	3	220
SF12-3-3F	(12) 30	180	53.75	20.50	12.06 ID	13.38	21.00	5.00	17.88	11.68	3	310
SF12-3-4F	(12) 30	180	53.75	20.50	12.06 ID	13.38	21.00	5.00	17.88	11.68	4	315
SF12-4-4F	(12) 40	240	60.31	20.50	12.06 ID	13.38	21.00	5.00	17.88	11.68	4	330
SF19-3-4F	(19) 30	285	50.19	23.50	15.06 ID	13.38	21.00	5.00	17.88	14.75	4	420
SF19-4-4F	(19) 40	380	60.31	23.50	15.06 ID	13.38	21.00	5.00	17.88	14.75	4	440

[†] Add 5 in to this dimension for hydraulic coverlift.

^{††} Inlet and outlet size standard ASA flanges.

Ordering Information

4	SF	12	—	2	—	3F	K1
Material	Design Series	Number of Columns	Cartridge Length (in)	Inlet/Outlet Flange Size	Coverlift Option		
No Symbol = Carbon Steel	SF = 304 Stainless Steel	3	1 = 10	2	K1 = Mechanical		
4 = 304 Stainless Steel	SF = 316 Stainless Steel	6	2 = 20	3	K2 = Hydraulic		
6 = 316 Stainless Steel	HSF = 300 PSI Design	12	3 = 30	4			
	CSF = Non-Code Design	19	4 = 40				

Process Filtration Division

* A trademark of E. I. du Pont de Nemours & Co.