

The Micromag HP/50 has all the same benefits of the standard Micromag but has been developed to suit high pressure through spindle-coolant applications, where the smallest of particles can damage seals, spindles and even reduce the efficiency of the cutting tool.

Micromag HP/50 can be installed anywhere in the fluid delivery system and will ensure that even sub-micron magnetic and para-magnetic particles are removed before they can cause any expensive damage.

For further information relating to the benefits and operation of the Micromag HP/50 please refer to the supplied standard Micromag brochure.

### Cleaning

Using the supplied cleaning tool, a fully contaminated core can be cleaned in under 30 seconds. Only metallic particles are removed from the filter and these can be easily disposed. There are no dirty cartridges!



### Suitable Products

Neat & soluble oils.

### Installation Location

Pre or post pump, delivery line, spindle feed or pre membrane cartridge.

### Benefits

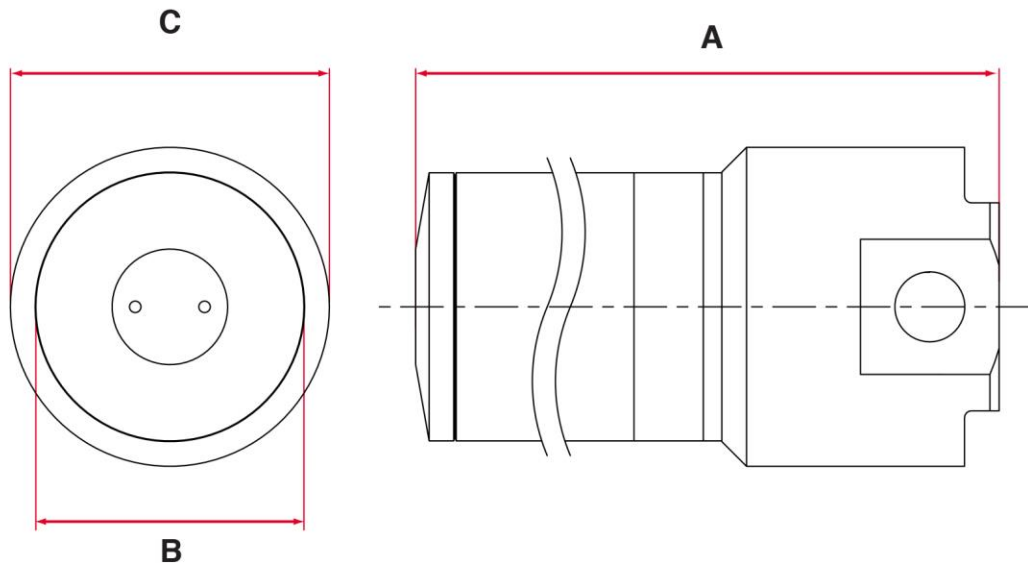
- High pressure
- Sub micron filtration
- Large holding capacity
- High intensity rare earth magnetic material
- Suitable for all machining applications
- Environmentally responsible
- No consumables

### Category

High Pressure.



# Technical Data:-



Product number	Flow rate Gallons/min	Contamination capacity lbs	Max. operating pressure psi	Connection NPT (in)	Temperature range F	Construction	Dimensions inches		
							A	B	C
MM5/HP/50 NPT	18	2.2	725	1	32 - 284	Full aluminum construction	9.7	4.6	4.9
MM10/HP/50 NPT	26	4.4	725	1	32 - 284		14.3	4.6	4.9
MM20/HP/50 NPT	40	8.8	725	1½	32 - 284		24.6	4.6	4.9

## Performance

<b>Maximum Pressure</b>	725psi
<b>Magnetic Performance:</b>	High Intensity
<b>Circuit Design:</b>	Open
<b>Magnetic Material:</b>	Rare Earth Neodymium Iron Boron
<b>Magnet Grade:</b>	N45 – Inspected & confirmed via hystergaph prior to use
<b>Temperature:</b>	32-284 F
<b>Materials:-</b>	
<b>Housing:</b>	Aluminium
<b>Lid:</b>	Aluminium
<b>Tube:</b>	304 Grade stainless steel
<b>Surface:</b>	Finish Machined and anodised
<b>Sealing:</b>	Viton O-ring

## Options

- Core cleaning post
- Mounting bracket
- Port adaptors

If you have any more questions, require technical assistance or would like a quotation, please contact us.



Providing Machine Tool Coolant Filtration  
and Handling Solutions Since 1962 !

While every effort has been made to ensure the accuracy of the information in this publication please note that specifications may change without notice.