

Improve Scrap Handling with PRAB Heavy-Duty Chip Carts

PRAB chip carts provide easy transporting of dry or wet metal chips and turnings. Heavy-duty steel construction provides leakproof performance. A range of models and capacities are available to meet your particular needs. PRAB mobile containers can be efficiently operated by one person, to improve plant housekeeping, minimize scrap handling costs and avoid production downtime. A full range of options are available, including: tow links, dumping trunnions, dumping frames, hinged drain covers and a choice of wheel types to meet floor conditions.

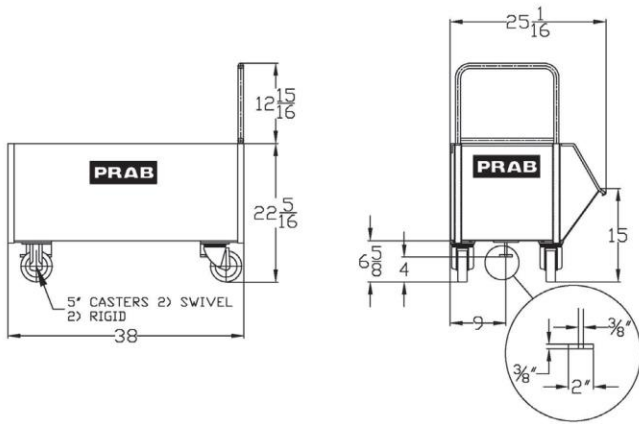


Features

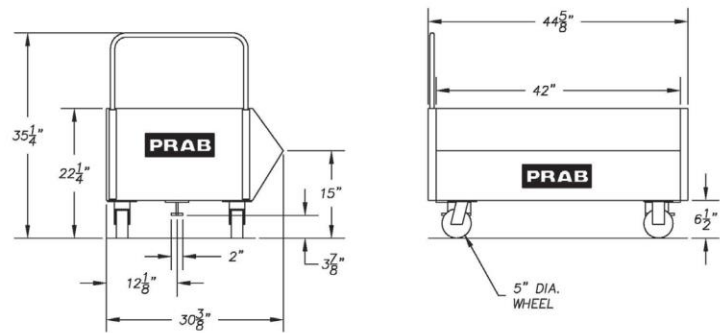
- Efficiently operated by one person
- Improves housekeeping
- Minimizes scrap handling costs
- Reduces production downtime
- An automatic dumping station can be added to fully automate the discharge dumping process

Model	Capacity (cu. ft)	Rating (lbs)	Bin Dimensions
LL-70	6.9	1,000	36" x 24" x 15-1/2"
LL-96	9.6	1,000	42" x 28" x 15-1/2"
HW-94	9.4	1,500	36" x 23" x 22"
HW-134	13.4	1,500	42" x 27" x 22"
HW-134-8 (8" wheels)	13.4	1,500	42" x 27" x 22"
TD-80	8	850	37" x 24" x 18-1/2"
TD-80-8 (8" wheels)	8	850	37" x 24" x 18-1/2"

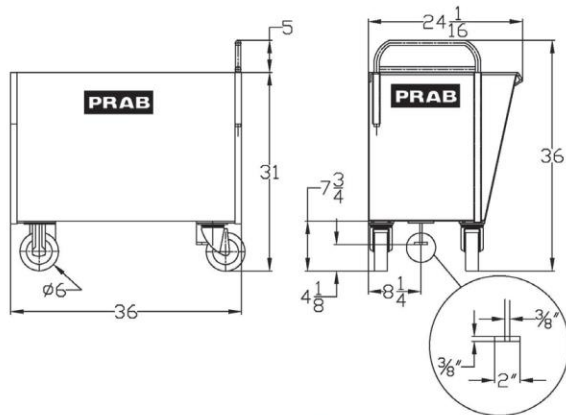
Heavy-Duty Chip Carts



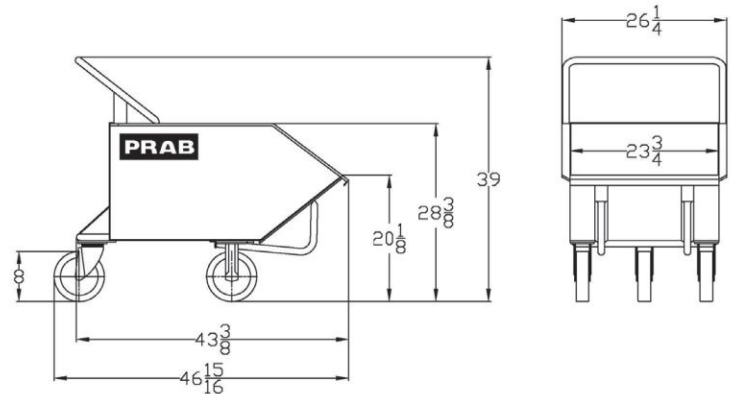
LL-70 Carts



LL-96 Carts

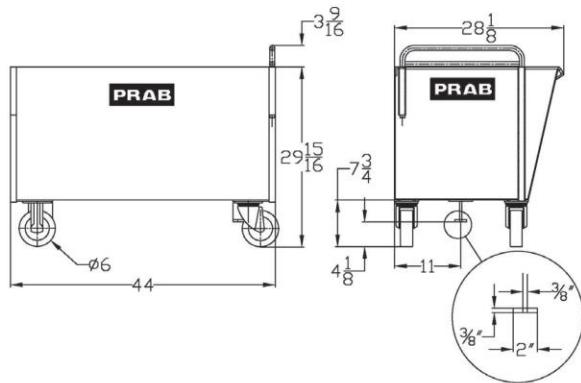


HW-94 Carts

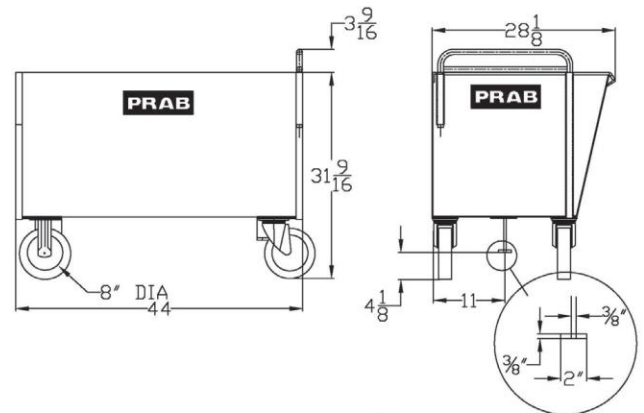


TD-80-8 Carts

(reduce height dimensions by 2" with TD-80 cart with 6" wheels)



HW-134 Carts



HW-134-8 Carts

Distributed By:



Corporate Offices & Distribution Center

MSC Filtration Technologies
198 Freshwater Blvd.
Enfield, Connecticut 06082
Ph: 800-237-7359 | (860)745-7475
Fax: (860) 745-7477

Email: sales@mscfiltertech.com
Web: www.mscfiltertech.com



A true performance guarantee ensuring your PRAB equipment achieves the specific results it was designed and manufactured to deliver. And if you need technical support, call us. We are available 24/7.



a **MG** global company