

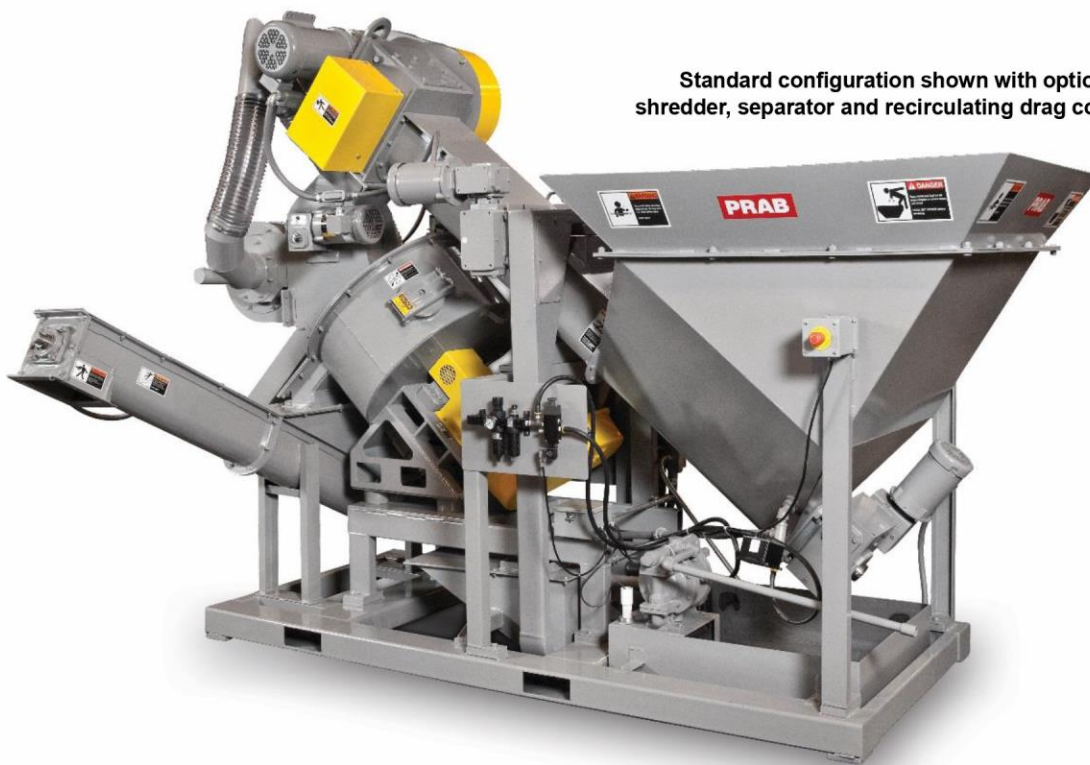
Fully Automated Compact System for Processing Metal Chips and Reclaiming Cutting Fluids

The PRAB E-Series Chip System is a dependable, fully automated system for reclaiming valuable cutting fluid from wet metal chips and turnings. This compact unit was designed for small to medium material volumes and can process Aluminum, Brass, Cast Iron, Steel or Stainless Steel. The system will provide you a fast return on investment and is delivered ready to go.

PRAB E-Series Chip System Standard Features and Benefits:

- Recycle flowable wet metal chips and turnings and reclaim cutting fluids
- Completely self contained, skid mounted and forklift portable
- PRAB's proven 16-CD reversible diagonal shaft wringer
- Produces up to 98% dry chips in wringer with over 600 G's of force
- Extended service life with exclusive wringer reversing feature
- Screw Conveyor meter feeds system
- Discharge Screw Conveyor elevates processed chips for disposal
- 50 Gallon Fluid Recovery Tank
- User friendly PLC controls with touchscreen HMI
- Occupies just a 4' x 11' area

Standard configuration shown with optional shredder, separator and recirculating drag conveyor.



E-Series Chip System

PRAB E-Series Chip System Optional Features:

- Shredder to reduce turnings into flowable chips
- Separator to remove bar ends and solids from chip flow
- Recirculated Drag Conveyor that automatically cleans the fluid recovery tank

Nominal Chip Throughput

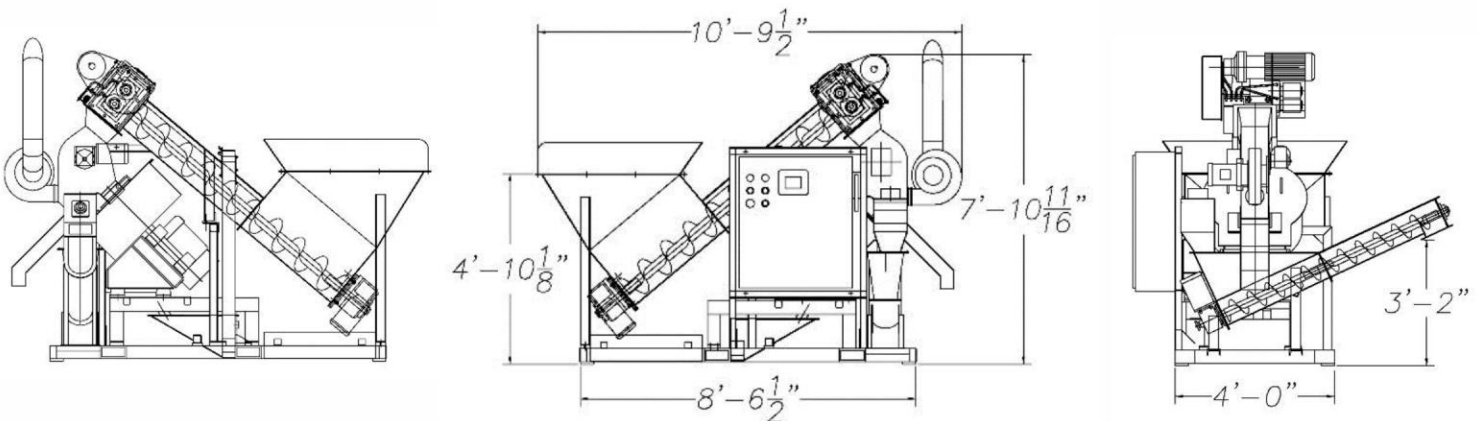
Steel	750 lbs/hr
Brass	600 lbs/hr
Aluminum	250 lbs/hr
Cast Iron	800 lbs/hr



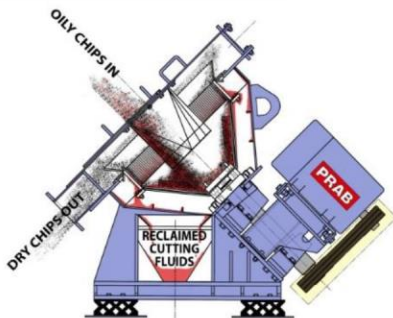
Infed view shown with optional shredder and separator.



Available with front discharge conveyor configuration.



Standard Configurations (Shown with all options)



Why a Diagonal Shaft Wringer?

It is more efficient! More than 600 G's of centrifugal force assures a continuous movement of chips while it removes up to 98% of the moisture. In addition, PRAB's exclusive reversing feature extends the service life and lowers overall maintenance costs.

Distributed By:

MSC FILTRATION TECHNOLOGIES

Corporate Offices & Distribution Center

MSC Filtration Technologies
198 Freshwater Blvd.
Enfield, Connecticut 06082
Ph: 800-237-7359 | (860)745-7475
Fax: (860) 745-7477

Email: sales@mscfiltertech.com
Web: www.mscfiltertech.com



A true performance guarantee ensuring your PRAB equipment achieves the specific results it was designed and manufactured to deliver. And if you need technical support, call us. We are available 24/7.



a **KMC** global company