

PRAB

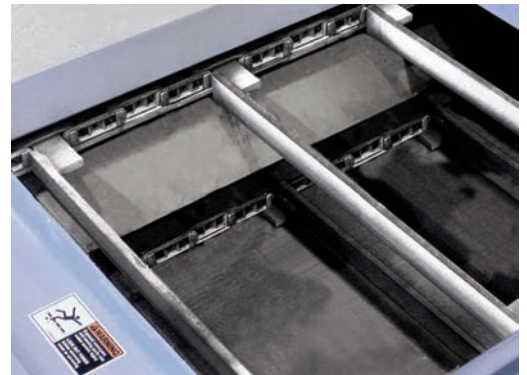
Metal Chip Processing

SOLUTIONS AT WORK



Drag Conveyors Solve Tough Chip Handling Problems

For wet metal chips and fines



Heavy-duty flight bars and forged steel chain.

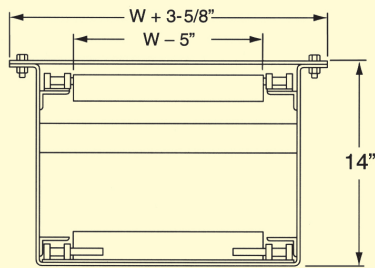
- ✓ Rugged, forged steel, rivetless chain
- ✓ Heavy-duty flight bars with PRAB exclusive bolt free connection
- ✓ Abrasive-resistant, alloy steel wear surfaces
- ✓ Liquid-tight, press-formed trough
- ✓ In-feed hoppers and metering plates available
- ✓ Safety top covers are standard
- ✓ Covered by PRAB's one-year warranty



When PRAB installation and operational guidelines are followed, the equipment will perform as designed, or we will revise, repair, or make whatever changes are necessary to achieve the proper operation of the equipment.

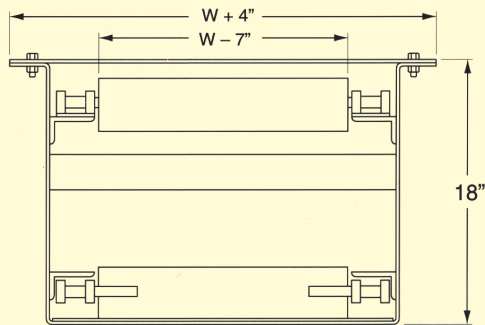
Series #348

- 3" pitch - 348 chain
- 3/16" side section
- 1/2" x 2" flight
- 24" radius bend



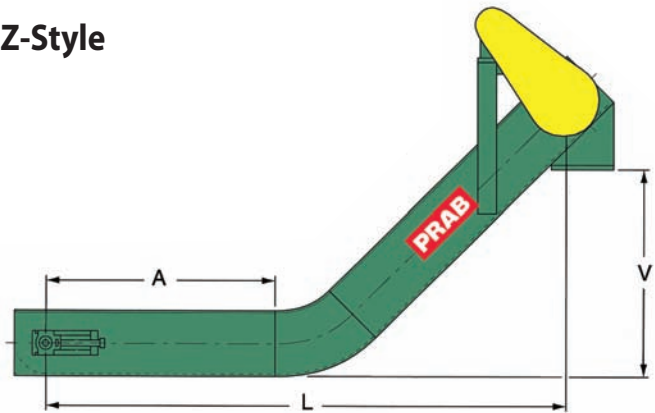
Series #458

- 4" pitch - 458 chain
- 1/4" side section
- 5/8" x 3-1/2" flight
- 36" radius bend

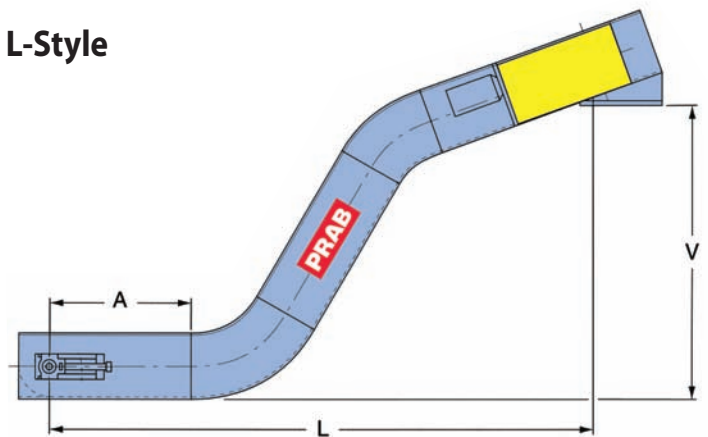


W = Trough Width

Z-Style



L-Style



Straight



Dimensions

A = Lower Horizontal

L = Length

V = Discharge Height