



**MDV-3**

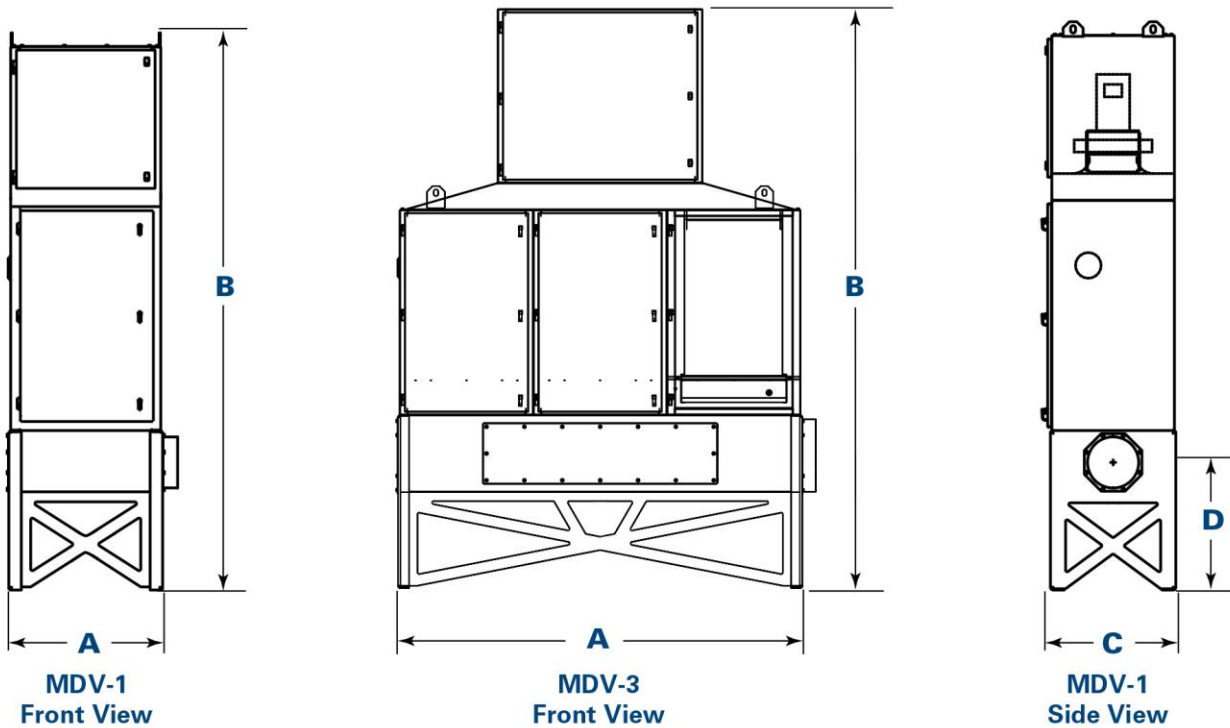


**MDV-1**

High performance mist collectors designed to filter mist, smoke, and dust from wet grinding, wet machining, soldering / brazing, die casting, and other metal making applications.

- Three-stage filtration for high filtration efficiency and optimum filter life
- Versatile design handles coolant mist, wetted dust and swarf, liquids and smoke in tough applications
- High efficiency airfoil fan with NEMA Premium® Efficiency Electric Motor maximizes performance and reduces operating costs
- Vertical orientation enhances filter drainage and improves vee-bag filter life
- Variety of design layouts and filter choices for both flexibility and expandability
- Larger custom sizes available
- Provides a cleaner work environment for maximum productivity
- Helps support OSHA Clean Air Standards

## DIMENSIONS & SPECIFICATIONS



Model	Nominal Airflow**		Filter Area Primary Filter		Motor (hp)	Inlet Collar		Dimensions								Shipping Weight	
	cfm	m³/h	ft²	m²		in	mm	A		B		C		D		lb	kg
								in	mm	in	mm	in	mm	in	mm		
MDV-1	1000 2000	1699 3397	126	11.7	1.5 3	10	254.0	30.8	782.3	113.6	2885.4	25.1	637.5	25.5	647.7	790	358.3
MDV-2	2000 4000	3397 6795	252	23.4	3 7.5	14	355.6	60.8	1544.3	127.9	3248.7	25.1	637.5	28.8	731.5	1325	601.0
MDV-3	3000 6000	5096 10192	378	35.1	5 10	16	406.4	90.8	2306.3	129.9	3299.5	25.1	637.5	29.8	756.9	1800	816.5

## EQUIPMENT OPTIONS

Prefilter - Impinger - 4" (101.6 mm) Multi-Vee - First-stage high efficiency filter, 24 x 24 x 4 inches (609.6 x 609.6 x 101.6 mm)	2" (50.8 mm) P-Trap with optional Y-Strainer assembly  HEPA or 95% D.O.P. filter module, 24 x 24 x 11.5 inches (609.6 x 609.6 x 292.1 mm) with Minihelic®* gauge  Sprinkler head
---	--

\* Minihelic is a registered trademark of Dwyer Instruments, Inc.  
 \*\* Based on clean filters @ 3-4 "wg (76.2-101.6 mm of H<sub>2</sub>O) ESP.

Significantly improve the performance of your collector with genuine Donaldson Torit replacement filters and parts.



**Distributed By:**  
**MSC Filtration Technologies**  
 198 Freshwater Blvd  
 Enfield, CT 06082  
 Toll Free: 1-800-237-7359  
 Phone: 860-745-7475  
 Email: [sales@mscfiltratech.com](mailto:sales@mscfiltratech.com)  
 web: [www.mscfiltratech.com](http://www.mscfiltratech.com)

**EXACTLY WHAT YOU NEED.™**

**Modular MediaFilter - Vertical Series (11/12)**  
 © 1999 Donaldson Co., Inc. All Rights Reserved. All products, product specifications, and data (airflow, capacity, dimensions, or availability) are subject to change without notice, and may vary by region or country. Donaldson Torit is a registered trademark of Donaldson Company, Inc. Contains Donaldson proprietary technology.