

PRAB

Metal Scrap Conveying

SOLUTIONS AT WORK



Pivot Belt™ Conveyors for Sticky Stamping Scrap

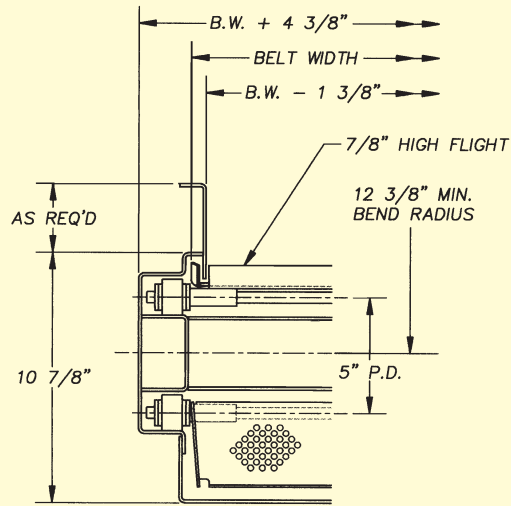
Ideal for elevating oily, thin gauge trim scrap and stamping slugs

- ✓ 2-1/2 inch and 4 inch pitch available
- ✓ Rigidized, dimpled belt surfaces help to eliminate carry over of sticky, oily pieces
- ✓ Overlapping hinged pans pivot for positive discharge
- ✓ Raised pusher flights ensure a positive material flow
- ✓ Extended life with replaceable bushings in heavy-duty side chain
- ✓ Seamless one-piece pan construction for fluid accumulation
- ✓ Sidewings and flights are integrally die-formed with pan
- ✓ H/D side frames, track and wear bars for precise belt tracking and longer life
- ✓ Built-in automatic overload protection
- ✓ Covered by PRAB's one-year warranty

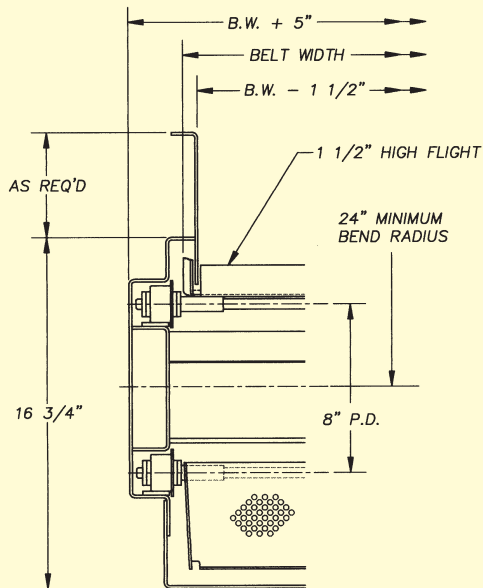


When PRAB installation and operational guidelines are followed, the equipment will perform as designed, or we will revise, repair, or make whatever changes are necessary to achieve the proper operation of the equipment.

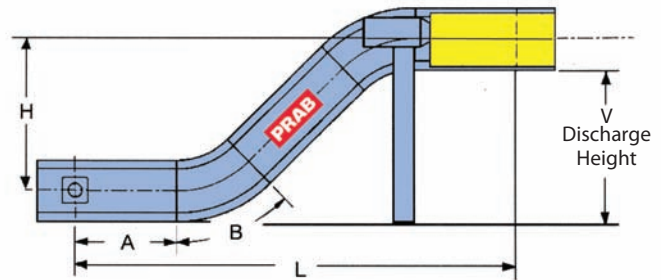
2-1/2 Inch Pitch



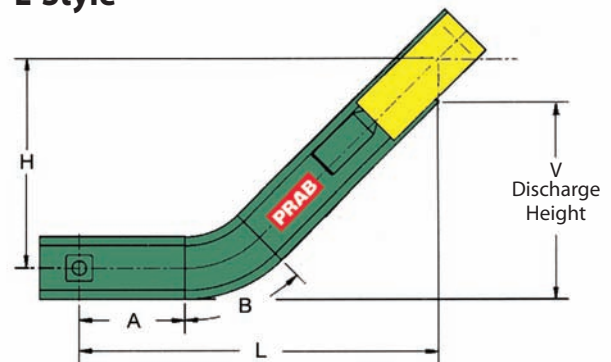
4 Inch Pitch



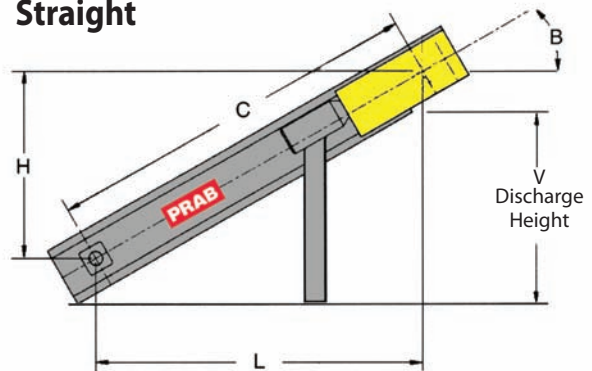
Z-Style



L-Style



Straight



PRAB

P.O. Box 2121
 Kalamazoo, MI 49003
 Phone: (269) 382-8200
 Toll Free: (800) 968-PRAB
 Fax: (269) 349-2477
 E-mail: info@prab.com
 Web: www.prab.com



Heavy-Duty Pivot Belt Conveyor

Available Options

- Drive can be mounted above, below or side (R or L side)
- Custom skirts, chutes and hoppers to fit your application
- Special side sections are available for reduced heights
- Flanged rollers available on both 2-1/2" and 4" pitch
- Special support frames and casters
- Variable speed drive