



FilClean™ SwarfSep

Manually Cleanable Centrifuges
Removes Fine Grinding Swarf From Coolants

The FilClean SwarfSep is specifically engineered for kidney loop filtration of machine sumps, effectively addressing filtration challenges posed by small, uniform particles generated during the grinding process that may otherwise clog Particulate Filters.

By employing simple operation and a spinning mechanism, it efficiently segregates grinding swarf from water-based coolants. The captured swarf is contained in a removable basket, facilitating quick, easy cleaning and maintenance once it reaches capacity.

Use with:

- Water Based Coolants
- Glass Grinding
- Ceramic Grinding
- Tungsten Grinding
- Silicon Carbide Grinding



Model FCSWS-12

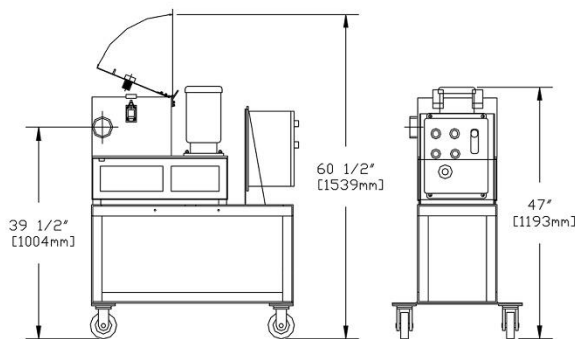
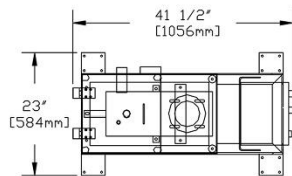


Removable Cleanable Baskets

- Reduce Annual Coolant Purchase Costs
- Improve Tool Life
- Reduce Sump Cleanouts
- Improve Parts Finishes
- Easy Removable Cleanable Baskets
- Zero Consumables

Model: FCSWS-12

12GPM



technical data

Materials of Construction

- 304 SS enclosure
- aluminum rotor assembly optional 304 SS
- rotor liner: neoprene
- mild steel angle support frame

Process Capacity

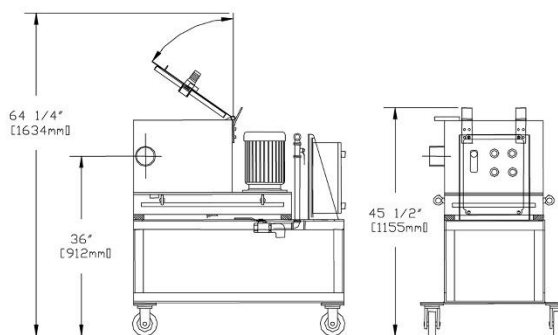
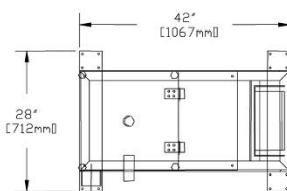
- flow rate: 12 gpm (45 lpm)
- rotor volume: 1.75 gal (6.6 l)

Electrical

- 2 hp (1.5 kw) drive motor
- NEMA 12 enclosure
- UL 508 A construction CE/CSA std available
- 110v cover limit switch or optional 24V DC electro-mechanical interlock
- pump motor starter included
- optional CE cover interlock
- all 3 phase power configurations available

Model: FCSWS-25

25GPM



technical data

Materials of Construction

- 304 SS enclosure
- aluminum rotor assembly optional 304 SS
- aluminum rotor liner optional 304 SS
- mild steel support frame

Process Capacity

- flow rate: 25 gpm (95 lpm)
- rotor volume: 3.5 gal (13.2 l)

Electrical

- 3 hp (2.2 kw) drive motor
- NEMA 4/12 enclosure
- UL 508 A construction CE/CSA std available
- pump motor starter included
- 24V DC cover limit switch or optional mechanical interlock
- 15A, 3 phase at 208V/60 Hz, 480V/60 Hz, or 400V/50 Hz

MSC FILTRATION TECHNOLOGIES

FILTRATION EQUIPMENT • PUMPS • SERVICE

198 Freshwater Blvd, Enfield CT 06082

(860)-745-7475 Fax (860)-745-7477 Cell (860)-930-6205

WWW.MSCFILTERTECH.COM
SALES@MSCFILTERTECH.COM

FCSWS-06132024-REV1